

i3TOUCH EXCELLENCE

E0265 T10 all-in one

Excellent interactive touch display with fast & accurate V-Sense touch technology.

i3 offers an exciting, easy to use and affordable alternative to traditional interactive board solutions. The i3TOUCH E series provide crystal clear, high-definition images. The V-Sense 10-point touch technology operates at the touch of a finger or pen and reacts instantly.

INTERACTIVE

- Up to 10 touch points
- V-sense touch technology: Finger, stylus or any other pen or finger shaped object.

INSPIRING

- plug & play upwards of windows 7
- gestures recognition
- extremely fast
- LED version, 50% energy-saving

INTEGRATED

- Build computer
- windows 8.1 Professional
- pen tray
- Vesa 10x10cm for i3Computer mounting
- 4 mm Anti-Reflexion safety glass
- Built-in audio amplifier and speakers
- Professional panel for 24/7 use
- Full range of i3TOUCH displays
- Warranty: 2 years



The powerful and fast V-Sense 10 point touch recognition allows up to 10 users to simultaneously perform pen and mouse functions, erase ink and manipulate and move objects on the interactive display surface. The system recognizes individual multitouch gestures for each user, whether by finger, stylus or any other object of choice.



All i3TOUCH products are compatible with Windows, MAC and Linux!

Model type i3TOUCH E0265 T10 all-in one

PANEL	
Diagonal Size	65"
Panel Resolution	1920x1080
Brightness	350 cd/m2
Contrast Ratio	4000:1
Response Time (G to G)	6.5 ms
Aspect Ratio	16:9
Display Colors	1.07B
Viewing Angle Hor./Ver.	178°/178°
Pixel Pitch (mm)	0.744(W)x0.744(H)
Back Light Unit	LED
W x D x H (mm)	1455x32x832

CONNECTIVITY	
Video Input	VGA, HDMIx2
Video Output (analogue)	VGA & HDMI
Audio	mini-jack in, mini-jack out
USB (for media)	USB A
USB (for touch)	USB B
Communication Port	RS232
Power	AC input, AC out

EASY PORT	
Video	HDMI
USB (for media)	USB A
USB (for touch)	USB B

VIDEO	
Color Temp.	Standard, Cool,Medium, Warm
Progressive Scan	Yes

SOUND	
Stereo	Yes
Speakers	2 x 10W

FUNCTION	
Languages	English, Spanish, French,Dutch, Chinese(s),Chinese (T), Japanese.(Able to add newlanguage, option)

Auto Ambient Detection	Yes
IPC Adaptation	Yes
Power Consumption	< 195 Watts
Power Consumption Sleep Mode	< 0.5 Watt
MTBF	50,000 Hours

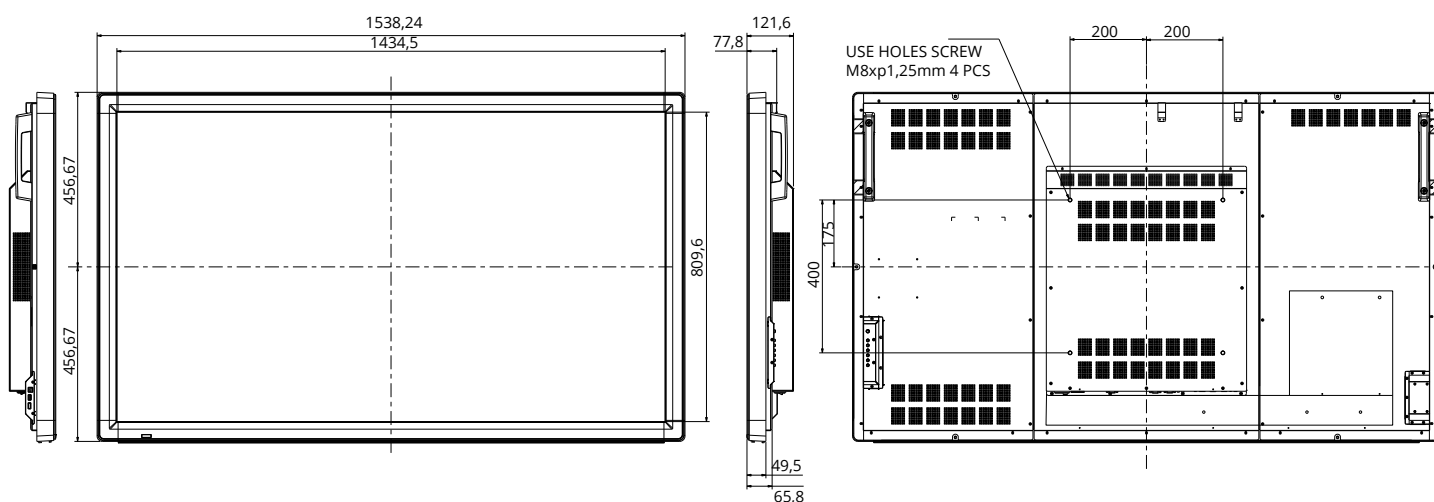
DIMENSIONS	
Dimensions (not incl. stand) mm	1538 x 913 x 122
Product Weight	65 kgs
VESA Mount	400 x 400
Green Approvals	Lead Free,RoHS compliant
Regulatory Approvals	CE/FCC
Thickness of AG Toughened Glass	4mm

TOUCH TECHNOLOGY	
	V-Sense
Touch modus	finger and pen
Touch points	10 simultaneous touches (only in Windows 7 or later)

Accessories	Power cable
	VGA cable
	HDMI cable
	Remocon + Battery
	PEN 2 x
	User Manual
	Wall mount

All-in one computer kit	Build in computer: i5 CPU, 8GB RAM, 250GB HDD
	Computer on/off, together with screen
	pen tray
	WiFi antenna

TECHNICAL DRAWING



AUTHORISED DISTRIBUTOR